

A.S.P. Electro-Technology Ltd

Tel: +44 (0) 1455 635796
 Fax: +44 (0) 1455 610851

sales@asp-electro-tech.com
 www.asp-electro-tech.com

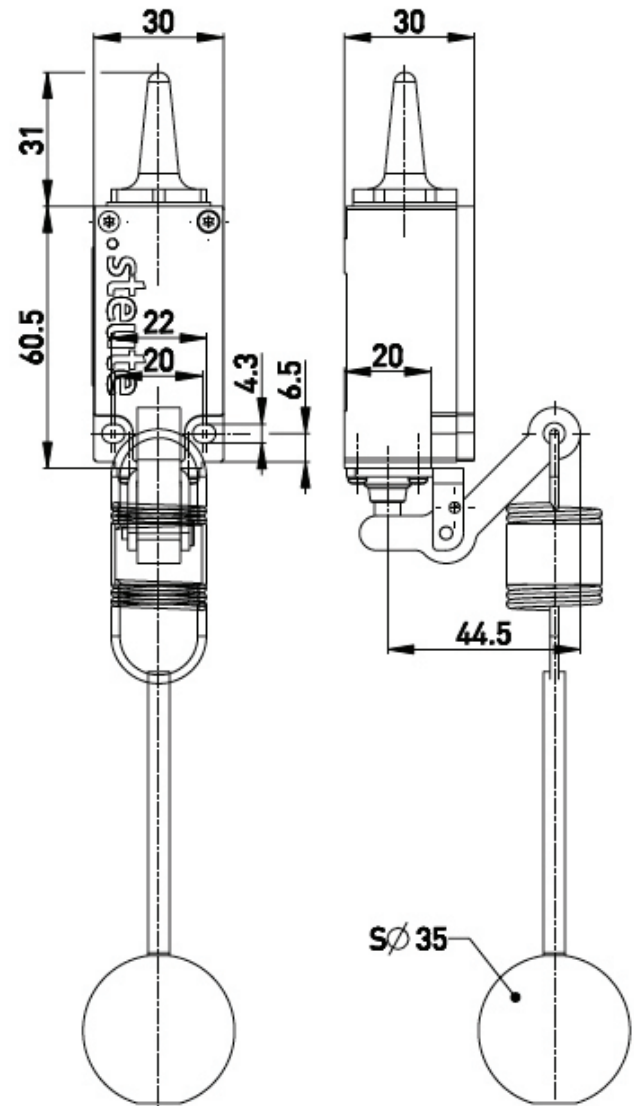
EEx RF 95 WH/90° Ex wireless grab-wire switch Ex switchgear with wireless technology

Features

- Ex zone 1 and 21
- Thermoplastic enclosure
- Horizontally slotted mounting holes
- Mounting details to EN 50047
- Output signal can be individually configured at the receiver
- EnOcean standard
- No power supply, no wiring and pipe laying required
- Multi-network capable
- Easy programming of receiver

Technical Data

Standards	EN 60947-5-1; EN 61000-6-2; EN 301 489-1; EN 301 489-3; EN 300 220-3; EN 60079-0; EN 60079-11; EN 61241-11
Enclosure	glass-fibre reinforced, shock-proof thermoplastic, self-extinguishing UL 94-V0
Cover	Glass-fibre reinforced thermoplastic, self-extinguishing UL 94-V0
Degree of protection	IP 65 to IEC/EN 60529
Wireless protocol	EnOcean
Ambient temperature	-20 °C ... +65 °C
Switching frequency	approx. 9000 telegrams/h
Voltage supply	Electrodynamic energy generator
Frequency	868.3 MHz
Transmission power	max. 10 mW
Data rate	120 kbps
Channel bandwidth	280 kHz
Sensing range	max. 300 m outside, max. 30 m inside
Mechanical life	> 1 million operations
Actuating time	min. 80 ms
Note	no presence signal available
Ex marking	⊕ II 2G Ex ib IIC T6 Gb ⊕ II 2D Ex ib IIIC T80 °C Db IECEX Ex ib IIC T6 Gb Ex ib IIIC T80 °C Db
Approvals	BVS 08 ATEX E 111; IECEX BVS 08.0048



Errors and omissions excepted